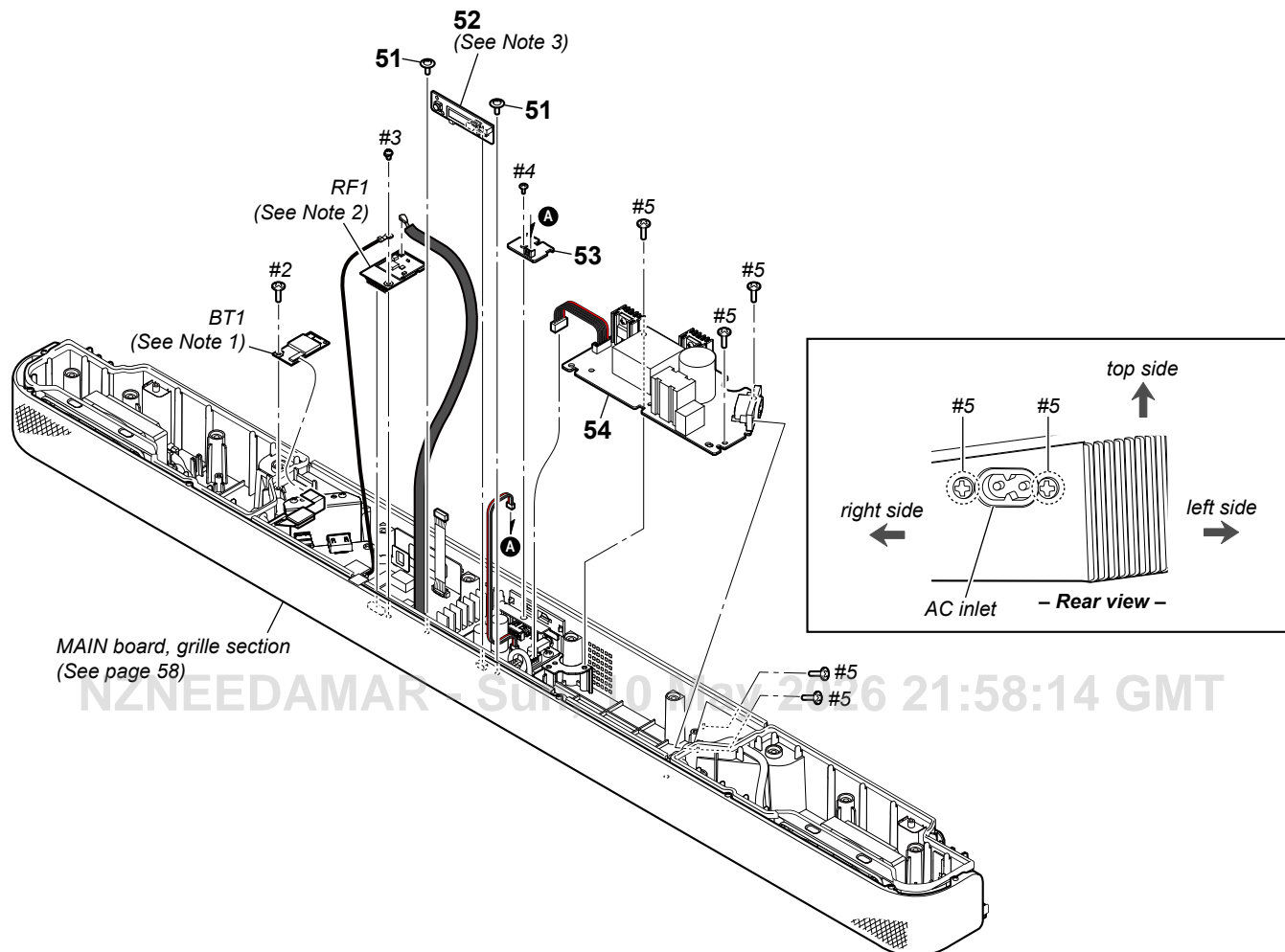


6-2. MODULE, BOARD SECTION

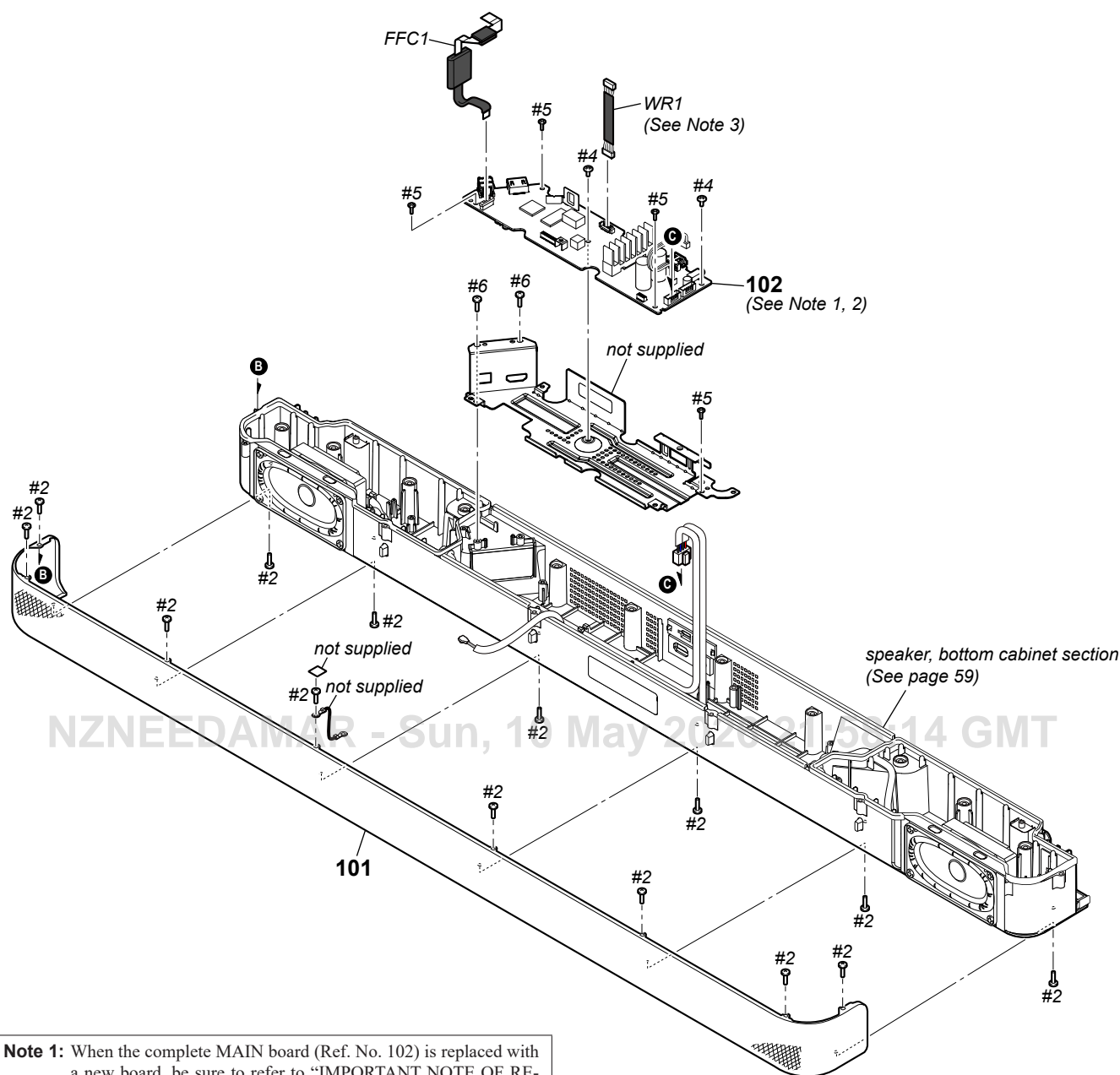


Note 1: When the BT module (Ref. No. BT1) is replaced with a new part, be sure to refer to “IMPORTANT NOTE OF REPLACING THE BT MODULE” on page 6.

Note 2: When the RF module (Ref. No. RF1) is replaced with a new part, refer to “WIRELESS CONNECTION (LINK) WORK” on page 8.

Note 3: The complete OLED board (Ref. No. 52) has been changed in the midway of production, accordingly, the software written on the complete MAIN board (page 58: Ref. No. 102) has been changed. Therefore, the OLED board is combined with the MAIN board. When replacing the complete OLED board with a new board, be sure to refer to “ABOUT CHANGING THE OLED BOARD” on page 17 in advance.

6-3. MAIN BOARD, GRILLE SECTION

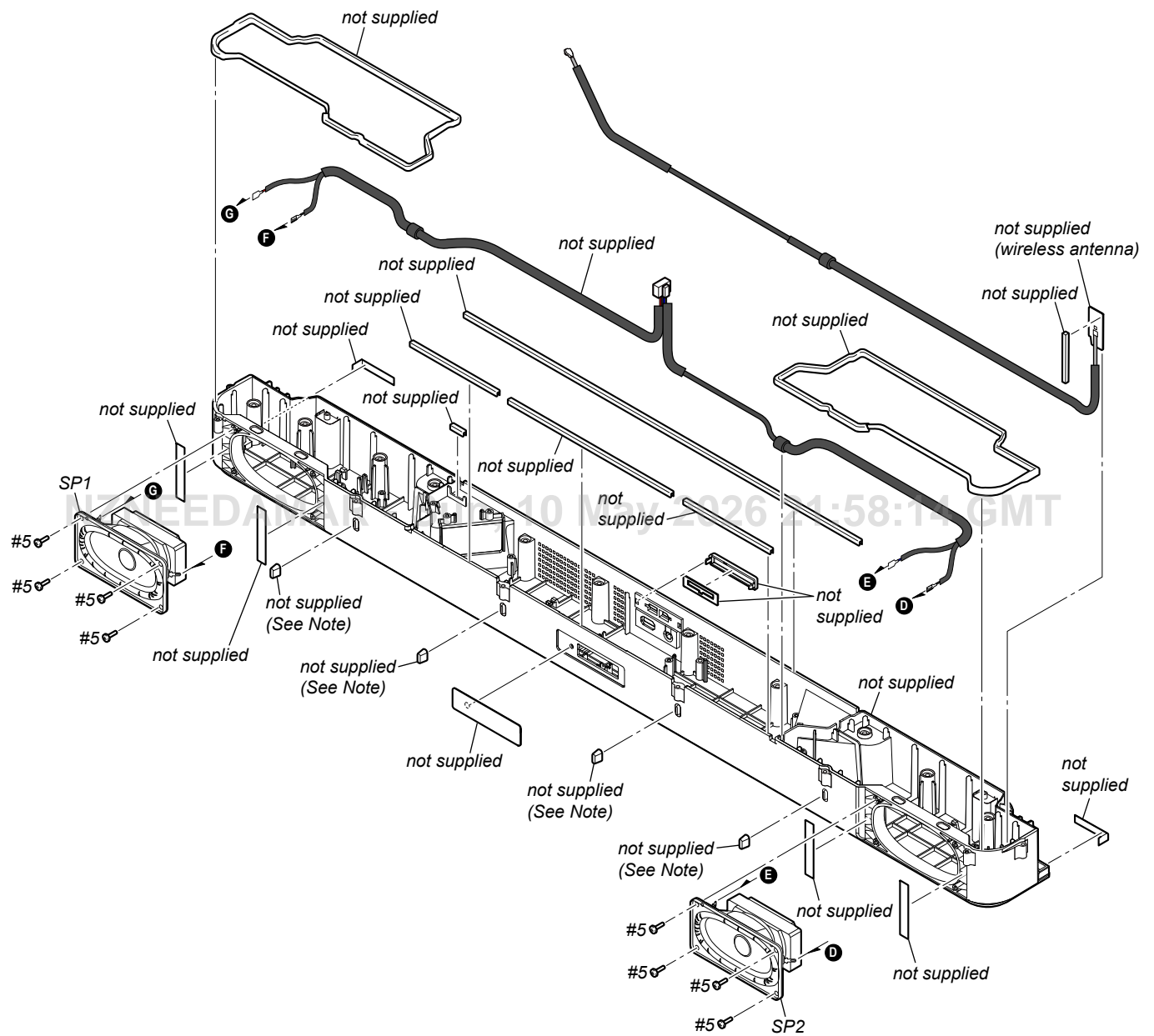


Note 1: When the complete MAIN board (Ref. No. 102) is replaced with a new board, be sure to refer to “IMPORTANT NOTE OF REPLACING THE MAIN BOARD” on page 6.

Note 2: Due to changes of the complete TOUCH KEY board (page 56: Ref. No. 3) and the complete OLED board (page 57: Ref. No. 52), the software written on the complete MAIN board (Ref. No. 102) has been changed. The complete MAIN board must be combined with the complete TOUCH KEY board, complete OLED board. When replacing the complete MAIN board with a new board, refer to “ABOUT CHANGING THE MAIN BOARD” on page 17 in advance.

Note 3: Due to change of the complete TOUCH KEY board (page 56: Ref. No. 3), the length of the MAIN - TOUCH KEY connection cable has been changed. The MAIN - TOUCH KEY connection cable after changing included in the complete TOUCH KEY board for repair (page 56: Ref. No. 3). The MAIN - TOUCH KEY connection cable must be used according to the type of complete TOUCH KEY board. Also, the only MAIN - TOUCH KEY connection cable cannot be replaced. For details, refer to “ABOUT CHANGING THE TOUCH KEY BOARD” on page 16.

6-4. SPEAKER, BOTTOM CABINET SECTION



Note: When attaching the grille assy, make sure you check that the silicon rubber cushions are attached.
Also, take care not to lose the silicon rubber cushions during disassembly.